



Ground engaging tools - Wear material

Blades and reinforcements



Blades
p. 4

Reinforcements
p. 5

Bucket
protections
p. 6



A wide range for the main earthmoving equipment

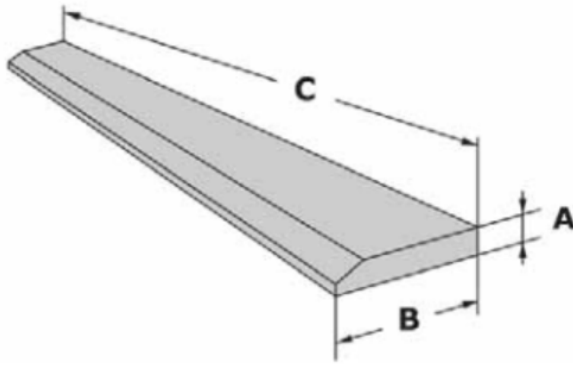
Since 1968, our foundry partner, based in Spain, has been manufacturing high-quality wear equipment for earth-moving equipment in quarries, mines and public works. All parts are made from the best steels and receive a heat treatment developed by the founder and adapted to increase their resistance to wear while maintaining the required hardness.

Quality is exhaustively controlled throughout the entire manufacturing process, entirely controlled internally on the founder's original molds. Parts with porosity or cracks are systematically discarded.

We can also offer you special blades, snow plow blades, complete scarifier shank and ripper shank, complete buckets, and custom parts: cut anti-abrasion sheet metal, custom blades, machined parts, crusher hammers, screens and perforated sheets. Contact us if you cannot find the part you are looking for in this catalog.

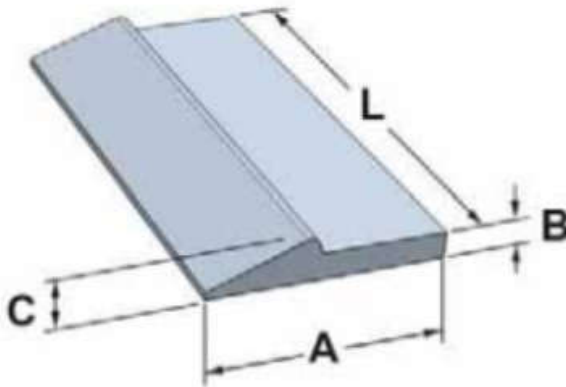


- **Standard blades**



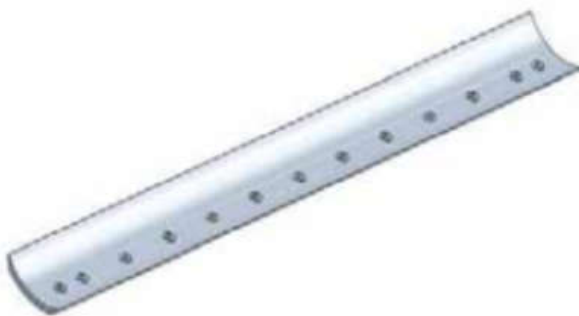
A	B	C
12	110	2000
12	110	2500
12	110	3000
16	110	3000
16	150	1500
16	150	2000
16	150	2400
16	150	2500
16	150	3000
20	150	2400
20	150	3000
20	200	2400
20	200	2500
20	200	3000
25	200	3000
25	250	2500
25	250	3000
30	300	3000

- **Half-arrow blades**



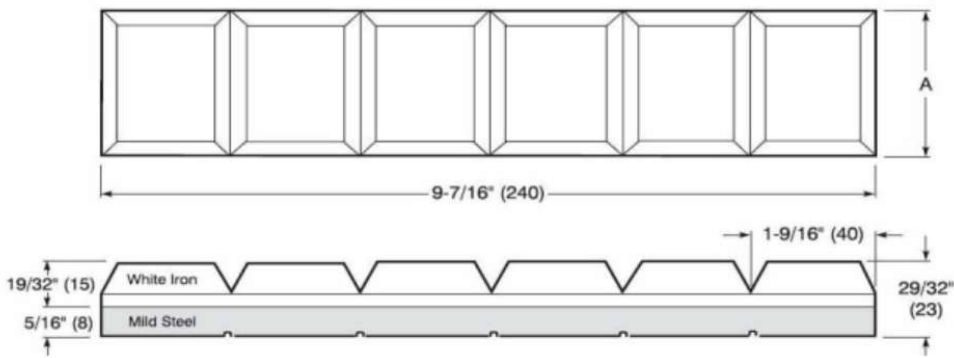
A	B	C	L	Weight
254	30	60	3000	194.0
254	40	75	3000	268.0

- **Grader blades**



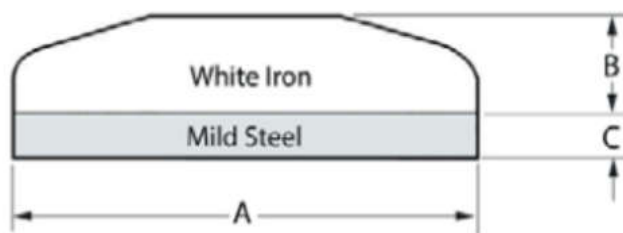
Ref. O.E.M.	Dimensions	Holes	Weight
5B-5564	1826 x 152 x 16	8 x 5/8"	29.3
5B-5567	1524 x 152 x 16	7 x 5/8"	24.4
5D-9553	1826 x 152 x 16	13 x 5/8"	29.0
5D-9554	2133 x 152 x 16	15 x 5/8"	33.9
5D-9556	1826 x 152 x 20	13 x 3/4"	35.0
5D-9558	1826 x 203 x 20	13 x 5/8"	50.3
5D-9559	2133 x 203 x 20	15 x 5/8"	58.7
5D-9561	2133 x 203 x 16	15 x 5/8"	48.5
5D-9562	1826 x 203 x 16	13 x 5/8"	43.0
7D-1576	1826 x 200 x 19	13 x 3/4"	46.0
7D-1577	2133 x 203 x 20	15 x 3/4"	58.5
7D-1949	2435 x 203 x 20	17 x 3/4"	67.0
7D-4508	1524 x 152 x 16	11 x 5/8"	23.0

- Chocky bars



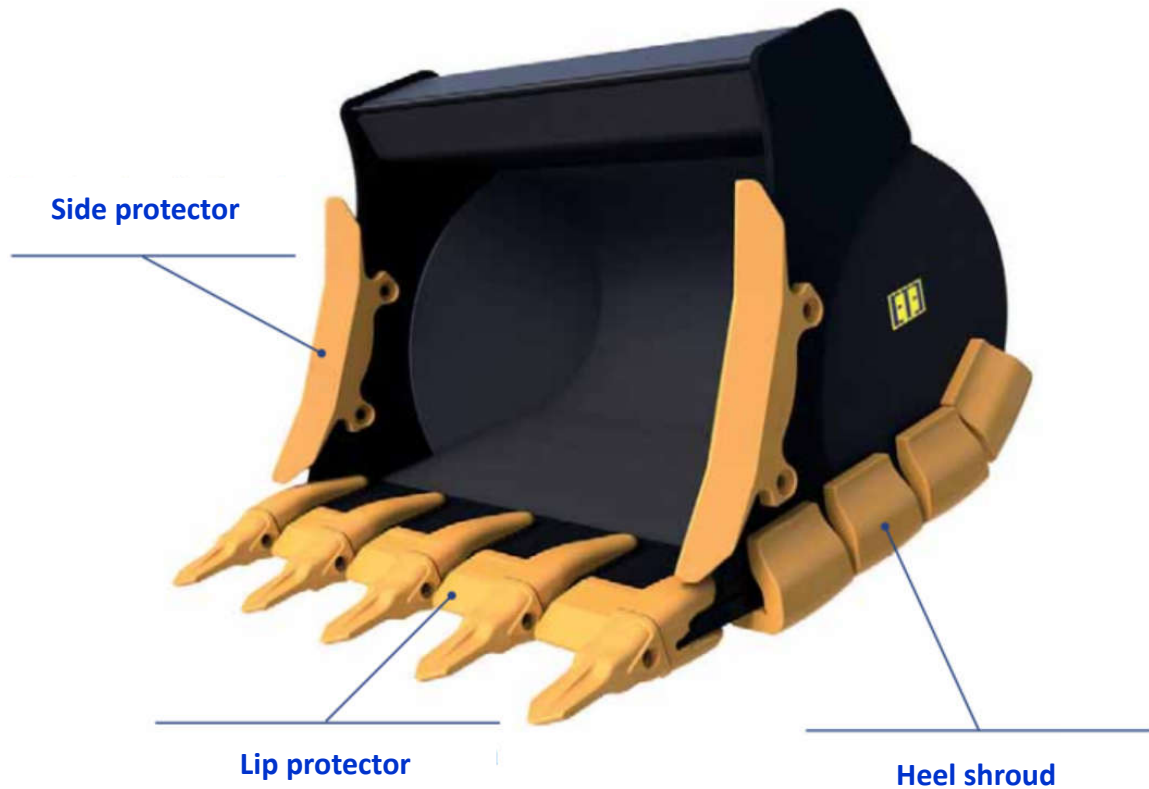
Ref.	A	Weight
CB25	25	1.1
CB40	40	1.7
CB50	50	2.2
CB65	65	2.8
CB100	100	4.4

- Wear buttons

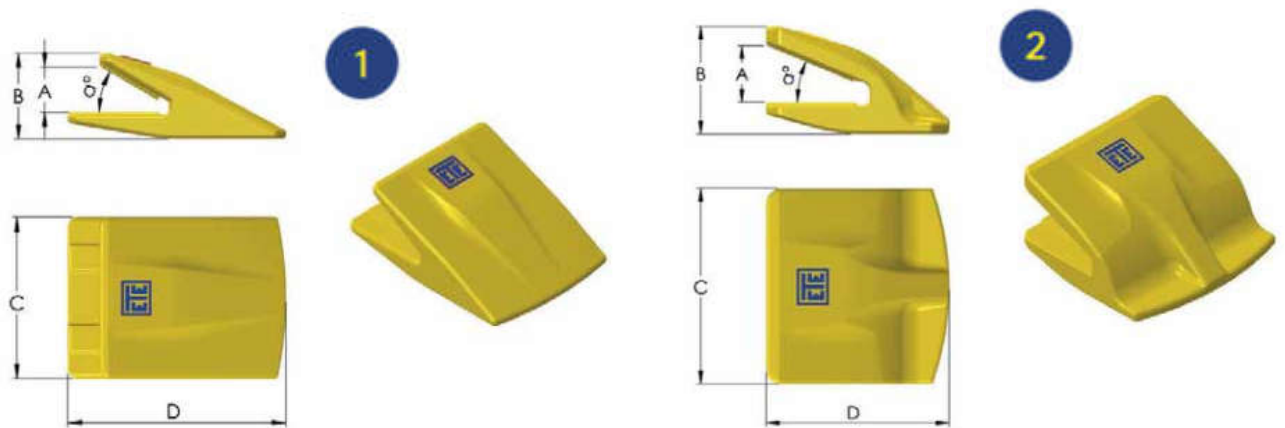


Ref.	A	B	C	Weight
WB60	60	17	10	0.7
WB75	75	17	10	1.0
WB90	90	17	10	1.5
WB115	115	20	12	2.6
WB150	150	25	16	5.7



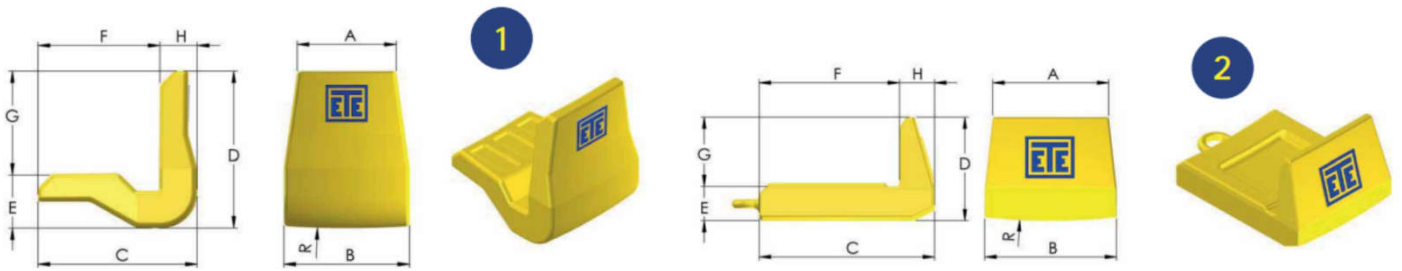


- Lip protection



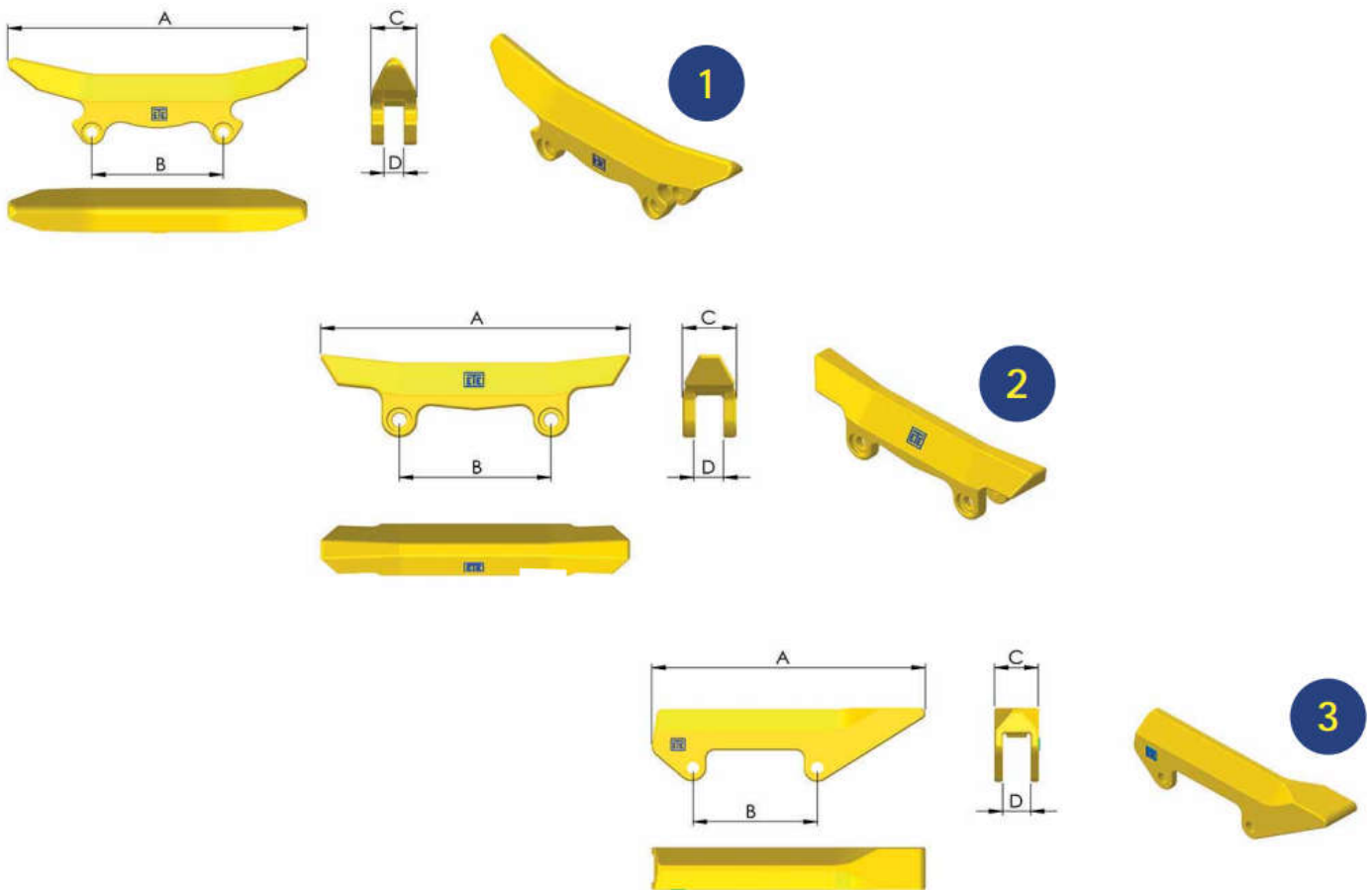
Pos.	Ref.	A	B	C	D	α°	Weight	Blade thickness
2	8801	45	95	150	190	23	7.7	40-50
1	8802	45	80	150	190	30	7.7	40-50
2	8803	66	132	250	250	23	22.0	60-75
1	8804	66	112	250	250	30	22.0	60-75
1	8805	95	145	360	255	30	36.0	80-100

• Heel shroud



Pos.	Ref.	A	B	C	D	E	F	G	H	R	Weight	Excavator
1	HS-175-140	110	140	175	175	60	136	117	41	1000	10.5	20-40 t
1	HS-230-190	130	190	230	177	63	186	166	44	1000	21.0	40-100 t
2	HS-6697-2	165	188	250	150	50	200	100	50	850	23.0	40-100 t
2	HS-6697-5	220	250	300	200	50	235	140	65	850	40.5	>100 t

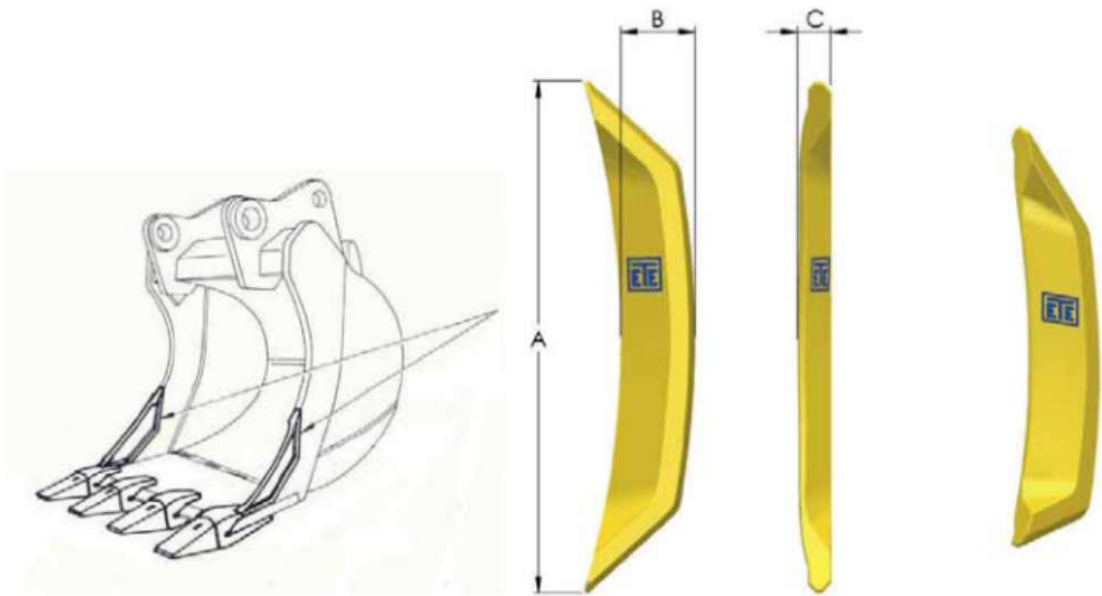
• Side protection



Pos.	Ref.	Ref. O.E.M.	A	B	C	D	Weight
1	860	9J-9600	580	254	92	38	18.0
2	861	1U-0740	605	292	105	54	22.4
3	862	329-5958	432	202	67	35	17.4
3	863	329-5957	605	292	105	54	35.1

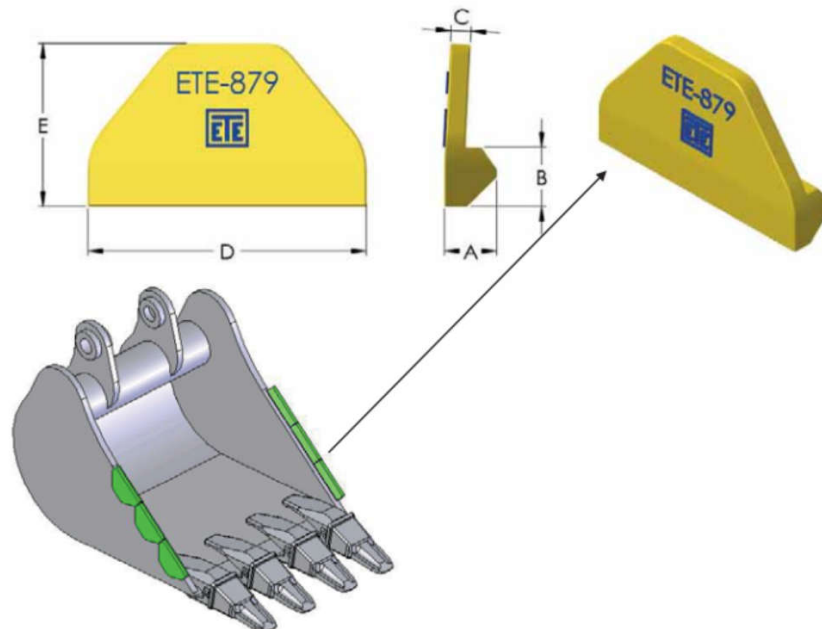


- Side blades



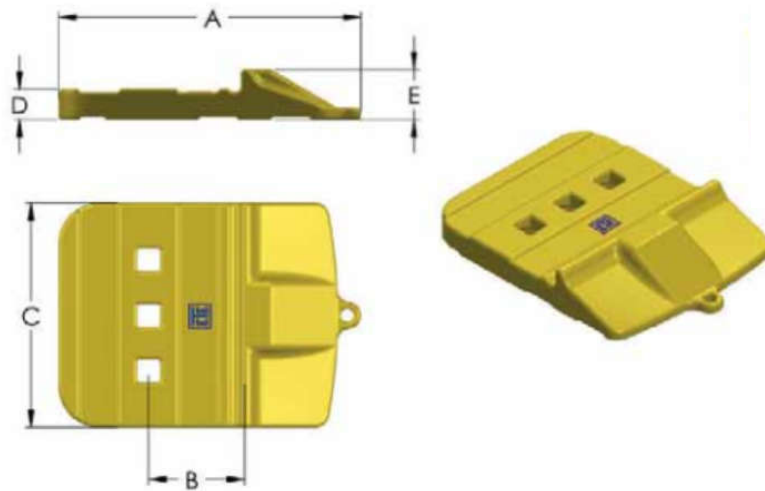
Ref.	Ref. O.E.M.	A	B	C	Weight
6150	150LS	306	53	25	1.7
6151	151LS	462	68	31	3.9
6001	153LS	513	75	34	5.0
6003	154LS	617	85	44	9.6
6155	155LS	676	91	88	10.6

- Side clips



Ref.	A	B	C	D	E	Weight
877	27	53	10	150	86	1.4
879	35	40	14	185	110	2.8
880	50	58	16	283	150	6.6

- Bolt-on half arrow protection



Ref. O.E.M.	Pos.	Holes	A	B	C	D	E	Weight
113-3140	Centre	2	400	126	288	41	134	36.0
113-3141	Right	2	416	126	328	41	134	42.0
113-3142	Left	2	416	126	328	41	134	42.0
109-9080	Centre	3	420	137	342	45	85	47.0
109-9081	Right	3	420	137	342	45	85	44.0
109-9082	Left	3	420	137	342	45	85	44.0
116-7460	Centre	3	420	140	312	45	85	42.0
116-7461	Right	3	420	140	312	45	85	43.0
116-7462	Left	3	420	140	312	45	85	43.0
135-9544	Centre	2	400	126	300	41	60	46.3
135-9545	Right	2	400	126	304	41	100	46.3
135-9546	Left	2	400	126	304	41	100	46.3
109-2675	Centre	4	536	180	410	75	90	101.0
109-2676	Right	4	536	180	436	75	100	110.0
109-2677	Left	4	536	180	436	75	100	110.0
109-9030	Centre	5	593	270	440	75	85	151.0
109-9031	Right	5	593	270	440	75	85	139.0
109-9032	Left	5	593	270	440	75	85	139.0
109-9033	Centre	5	593	270	622	75	85	218.0
117-6805	Right	5	634	270	440	75	85	155.0
117-6806	Left	5	634	270	440	75	85	155.0



MCEP DISTRIBUTION



Drilling



Blasting



Ground engaging tools – Wear material



Powerwashers



Specific products



MCEP DISTRIBUTION – 3 rue du Prélot
25340 L'HOPITAL SAINT-LIEFFROY



www.mcep-distribution.com



Commercial:	commercial@mcep-distribution.com	+33 7 71 24 21 58
Technical:	eric.petit@mcep-distribution.com	+33 6 26 49 69 20
Administrative:	admin@mcep-distribution.com	+33 6 48 00 66 08



Société par actions simplifiée with capital of 30 000 € - RCS BESANCON B 807 572 326

The publisher reserves the right to printing errors, changes in laws and regulations and possible product modifications.

© 2024 MCEP DISTRIBUTION